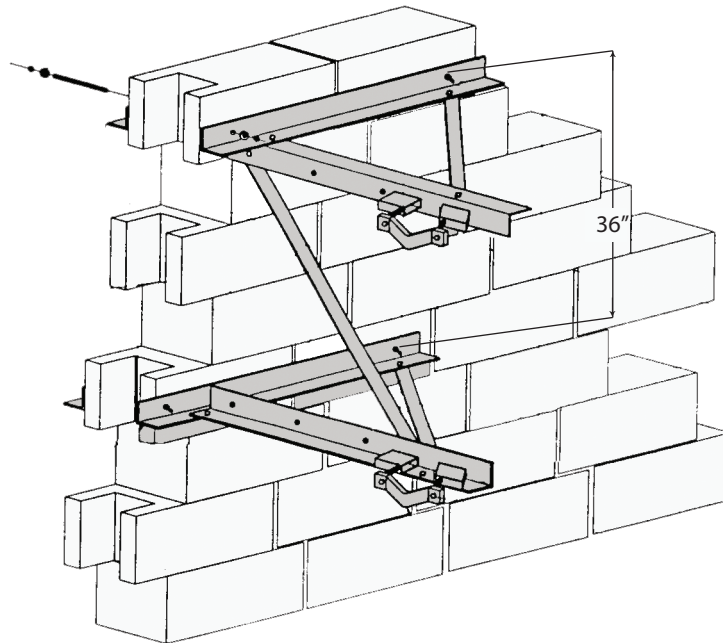


## PWM

The ROHN Pole Wall Mount (PWM) is designed to support most Satellite, PCS, Cellular, and Microwave antennas. The PWM allows you to vary the mounting pipe length and diameter, accepting up to 5-1/2" OD pipe. The PWM is hot-dip galvanized after fabrication, and can easily be shipped UPS.



### Notes:

1. It is the purchaser's responsibility to verify that their installation is adequate to withstand all loads imposed by this mount and antenna.
2. All antenna installations should be grounded, by installer, to meet all applicable codes.
3. Inspect the mount and antenna installation every 6 months.
4. Optional hardware mounting kits may be purchased separately from ROHN (P/N HMK14, HMK18 or HMK24)
5. Optional inside mounting angles may be purchased separately from ROHN (P/N FY77).
6. Assembly shown does not include the pole, which may be purchased separately from ROHN.
7. If the pole is to be installed plumb, the lower mounting angle should be moved 2" more to the left, than the top mounting angle, prior to attaching the mount to the building.
8. If the pole is mounted 15-3/4" from the building, use the extra 1/2" x 1-1/2" bolt assembly to fasten the diagonal brace to the lower mounting angle.
9. Pal nuts are included with the bolt assemblies and are to be installed with the concave surface against the standard nut.
10. To obtain maximum capacity of the PWM, bolts should be tightened in accordance with AISC recommendations.
11. All parts are hot-dip galvanized after fabrication.
12. Angles must be positioned as shown.